

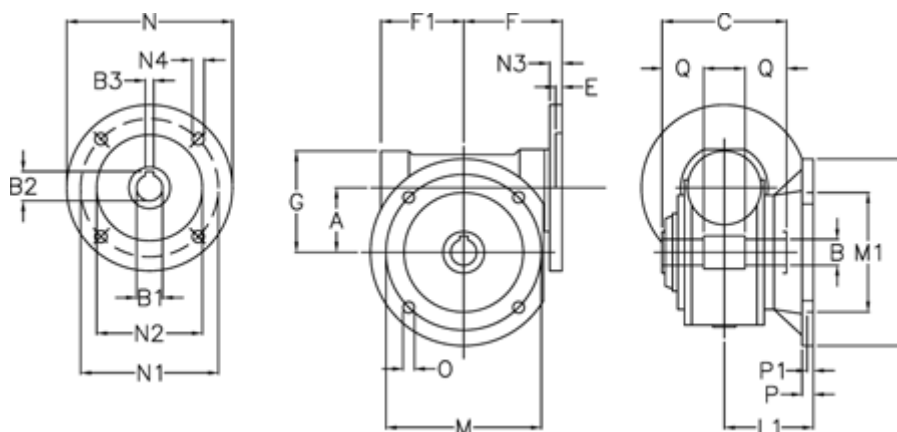
Data Sheet



Article number: 390218504055510

Description: Worm gear
VF 185-FC2-40-160B5, without lubrication

Measures



| | | | | | |
|-------|---------|----|---------|----|-------|
| A | = 185.4 | F1 | = 205 | N2 | = 250 |
| B | = 60 H7 | G | = 267 | N3 | = 18 |
| B1 E7 | = 42 | L | = 400 | N4 | = 18 |
| B2 | = 45.3 | L1 | = 155.5 | O | = 22 |
| B3 H9 | = 12 | M | = 350 | P | = 22 |
| C | = 190 | M1 | = 280 | P1 | = 13 |
| E | = 4 | N | = 350 | Q | = 65 |
| F | = 217 | N1 | = 300 | | |